

**Slick
Sleuth™**

SLICK GUARD™ OIL DETECTION BUOY

**Ports, Harbors & Coastal Installations
Fish Farms & Aquaculture
Wetlands & Sensitive Habitats
Desalination & Power Plant Intakes
Industrial Discharge Points**

New!

Slick Guard is an integrated, turnkey, environmental monitoring system. It is designed to be moored off shore, or wherever a floating monitoring station is needed for detection of oil spills. Slick Guard includes:

- **Slick Sleuth Oil Detection & Alarm**

Slick Sleuth employs advanced optical UV technology for the detection of oil in real-time. Slick Sleuth is a highly sensitive, non-contact, and non-fouling detector designed for extreme conditions.

- **Remote Wireless Telemetry Unit (RTU)**

The Remote Wireless Telemetry Unit provides the communications link between the Slick Sleuth and the base station monitor/control center. The communications link can be RF, WIFI, cellular or satellite depending on specific requirements and local regulations.

- **Solar DC Power Unit (PSU)**

The Solar DC Power Unit supplies power to the Slick Sleuth and the Remote Wireless Telemetry for continuous uninterrupted operations.

- **Application Specific Instrumentation (Optional)**

User-specified, application specific instrumentation can be added to the system and factored into the design of the Wireless Telemetry & Solar DC Power Unit. Additional instrumentation could include:

- Current Speed & Direction
- Water Quality Monitoring
- Meteorological Instrumentation
- Other

- **Ruggedized Flotation Platform**

Ruggedized catamaran design provides an extremely stable instrumentation platform for rough water conditions. Moored twin hull buoys constructed from welded steel and coated with marine grade paint.

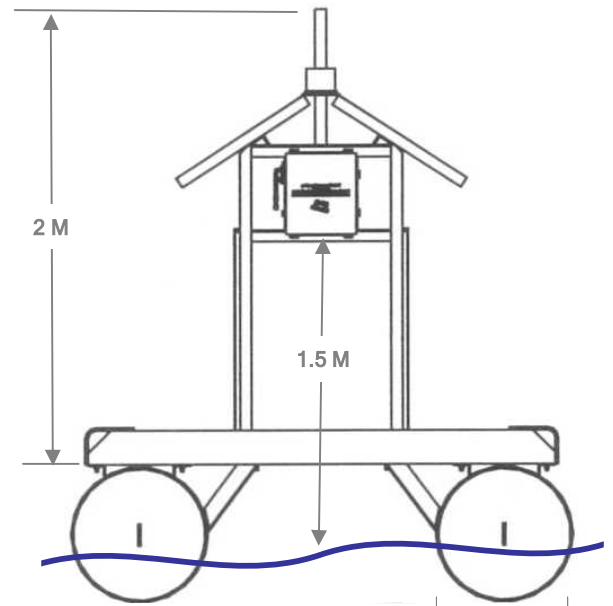
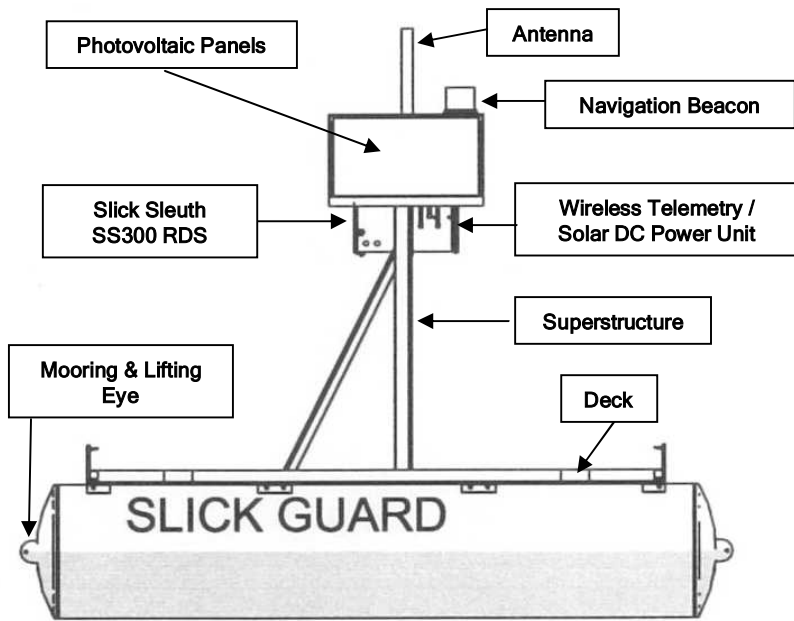


Contact InterOcean Systems today to discuss your specific application requirements.

InterOcean Systems, Inc. – Environmental Systems Division
3738 Ruffin Road – San Diego, CA 92123 USA
Phone: (858) 565-8400 – Fax: (858) 268-9695
Email Sales@SlickSleuth.com – www.SlickSleuth.com

SLICK GUARD™

OIL DETECTION BUOY



DIMENSIONS	3M BUOY		5M BUOY	
	IN	CM	IN	CM
Length Over All (LOA)	128	325	188	478
A	120	305	180	457
B	88	224	115	292
C	82	208	103	263
D	41	104	52	132
E	33	84	62	157
F	36	91	36	91
G	33	84	62	157
H	24	61	24	61
J	24	61	30	76
Draft	9	23	11	30
WEIGHTS	LBS	KG	LBS	KG
	2000	910	3,500	1,590
All dimensions and weights are approximate				

