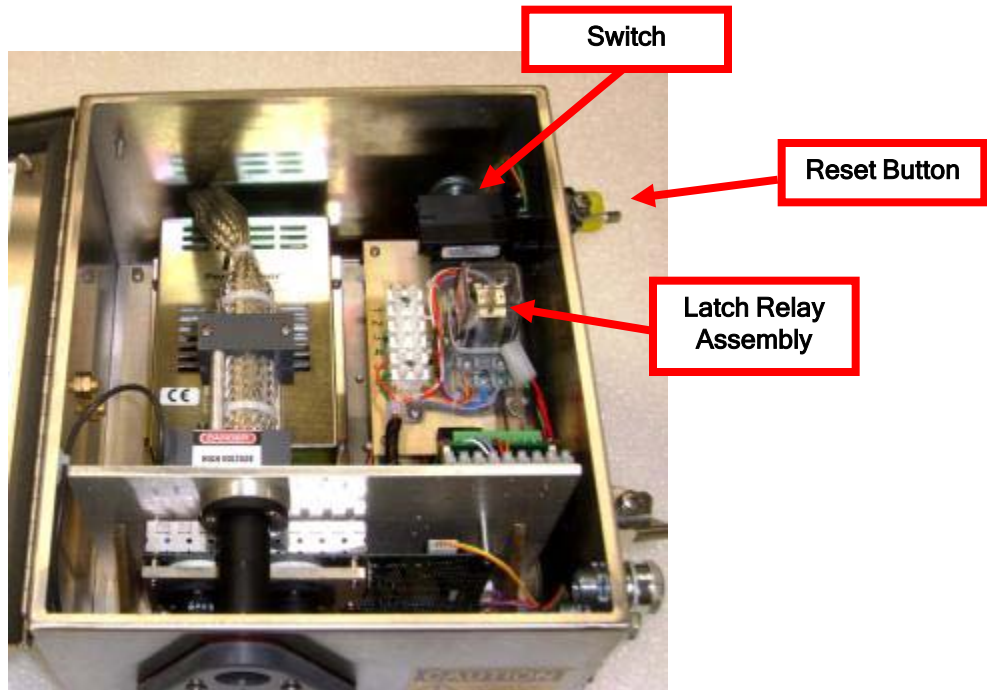




SLICK SLEUTH™ LATCHING RELAY OPTION



The Latching Relay Option provides a pair of terminals connected to a SPST relay. The latching relay and circuitry function as follows:

- **Open Contacts (Normal)**
System operating and no oil is being detected.
- **Closed Contacts / Not Latched**
Power or equipment failure - the contacts will remain closed until the power is restored or equipment problem is corrected.
- **Closed Contacts / Latched**
Detection of oil - the contacts will remain closed and latched until the Reset Button is pressed. The indicator in the Reset Button is also illuminated at this time.

After the source of the oil detection has been removed the Reset Button may be manually pressed to clear the latched output and restore the contact to the normally open position.

Applications
The Latching Relay can be used to activate or deactivate pumps, valves, gates or other facility controls.

Relay Type	Latching
Effective Configuration	SPST
Rating:	10 amps @ 28 VDC, resistive
	1/4 hp @ 120 VAC
	1/3 hp @ 240 VAC

